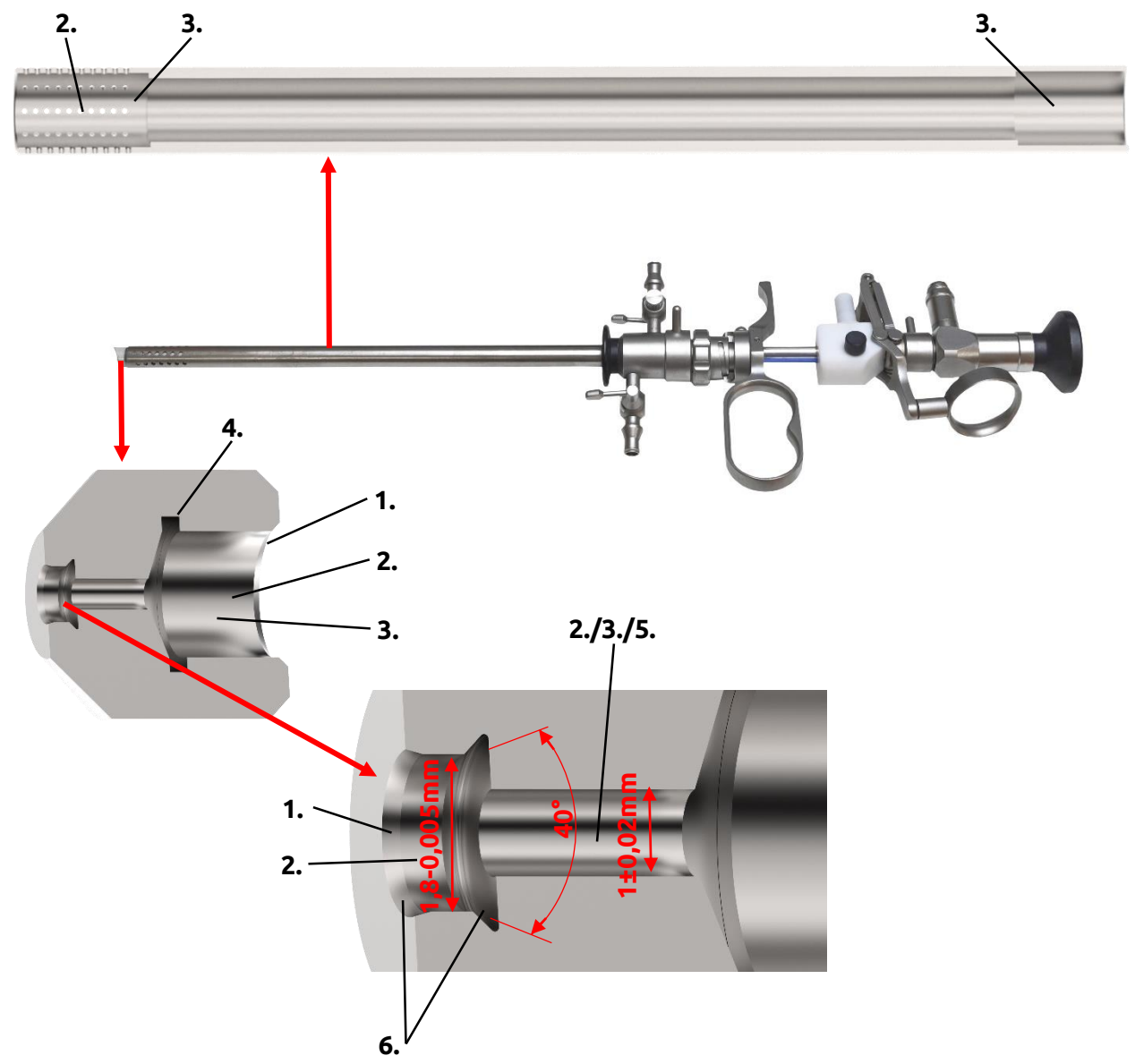


**Processing example:**    resectoscope – tube- and lense fitting



1. DRP - centering pointer



2. DRA - high performance chamfering drill



3. SDG - boring bar



4. SDS - internal grooving cutter / SDT - grooving and turning cutter



5. DRE - precision reamer or stepped reamer



6. SDW - chamfering tool



7. Tools for manufacturing of special profiles to customer specification

