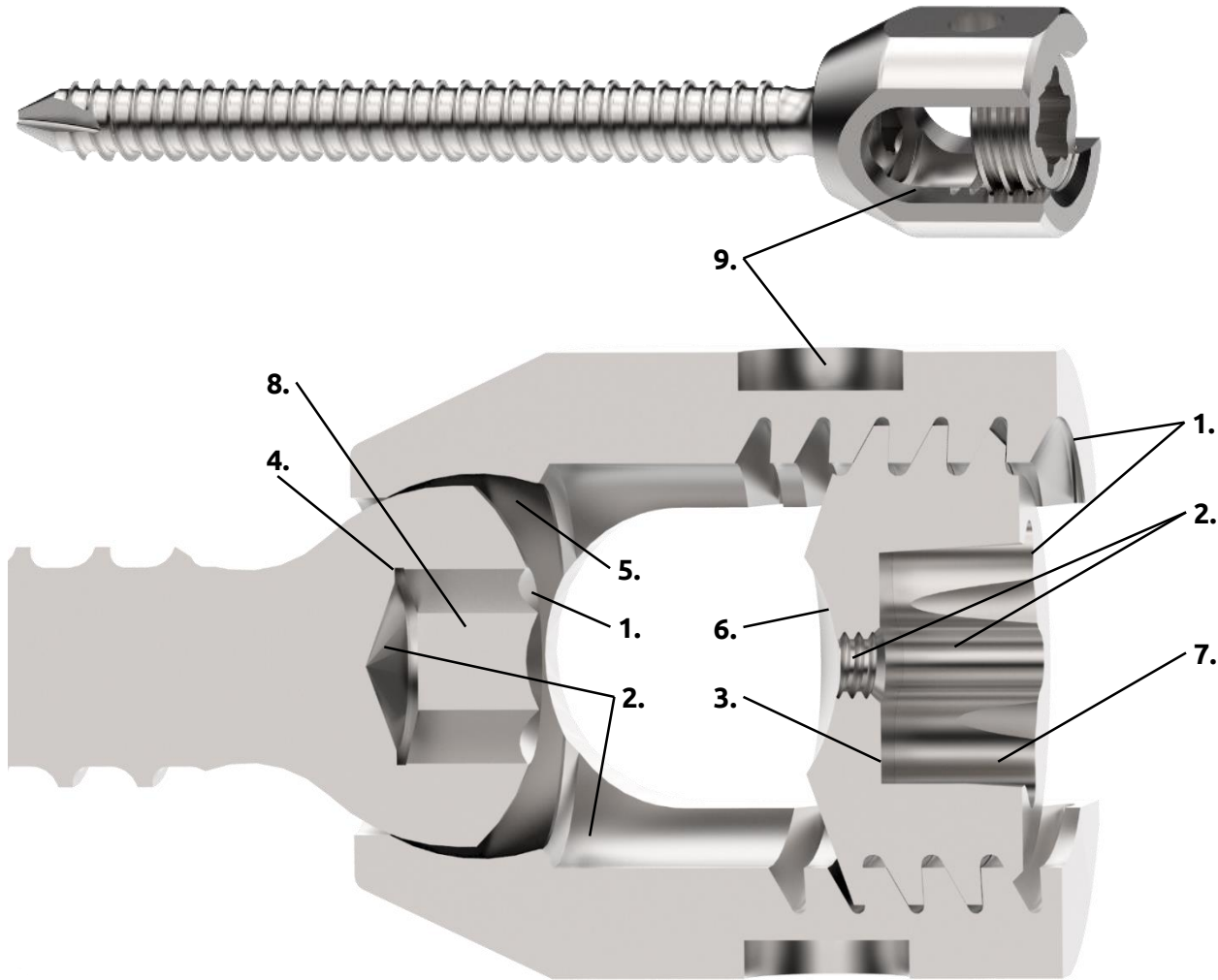


Processing example: pedicle screw



1. DRP - centering pointer



2. DRA - high performance chamfering drill



3. SDG - boring bar



4. SDS - internal grooving cutter / SDT - grooving and turning cutter



5. SDH - back-off cutter



6. SXJ - front copying cutter



7. BRT - broaching tool



8. BRH - broaching tool



9. Tools for manufacturing of special profiles to customer specification

