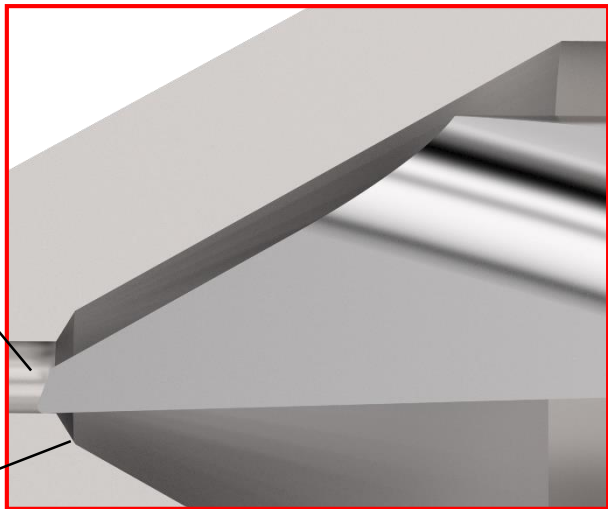
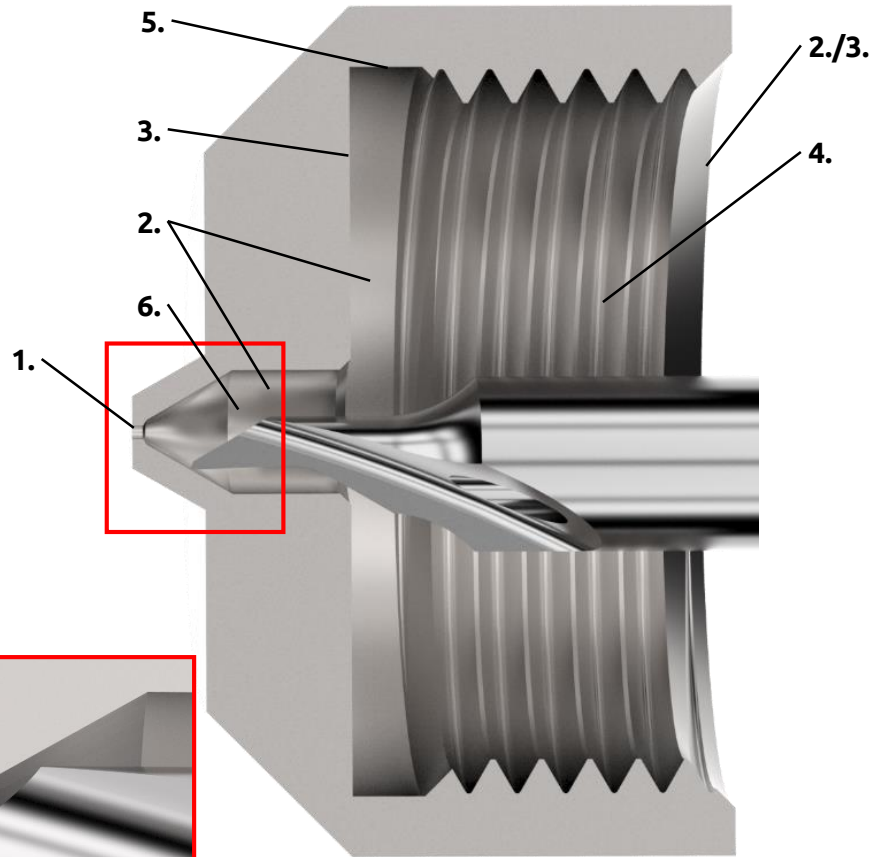


Processing example: nozzle processing 1/3



1. DRP - centering pointer



2. DRA - high performance chamfering drill



3. SDG - boring bar



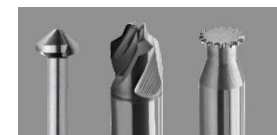
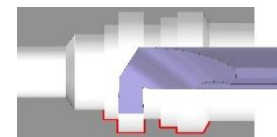
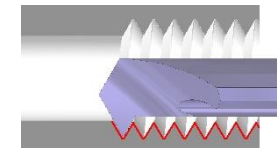
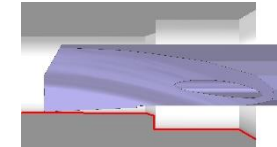
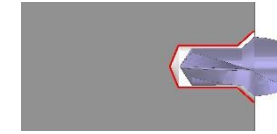
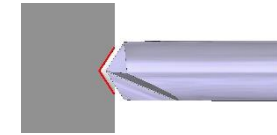
4. SDU/SDV - threading cutter-partial and solid profile



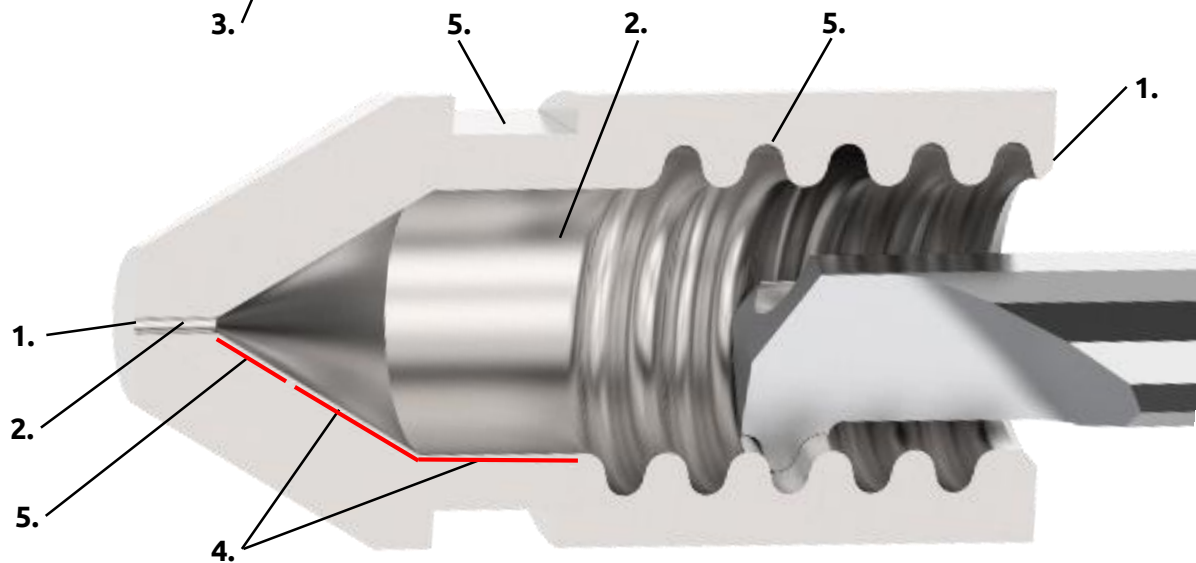
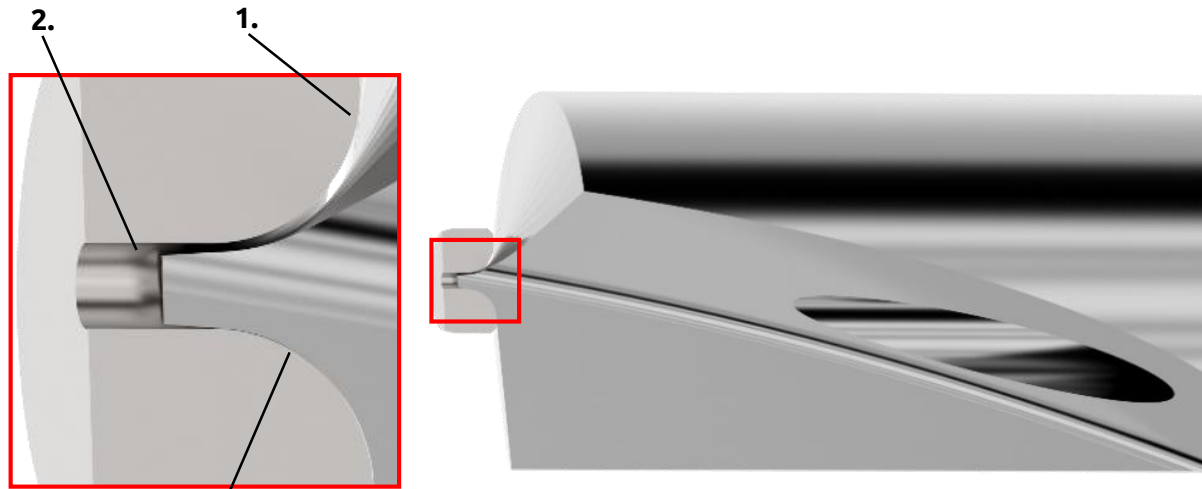
5. SDS - internal grooving cutter / SDT - grooving and turning cutter



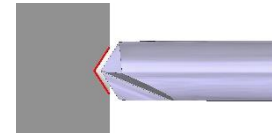
6. Tools for manufacturing of special profiles to customer specification



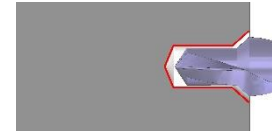
Processing example: nozzle processing 2/3



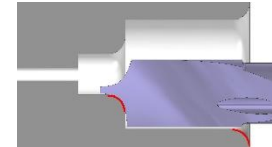
1. DRP - centering pointer



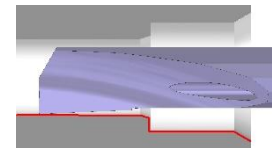
2. DRA - high performance chamfering drill



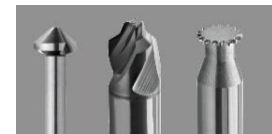
3. SDZ - edge and radius cutter



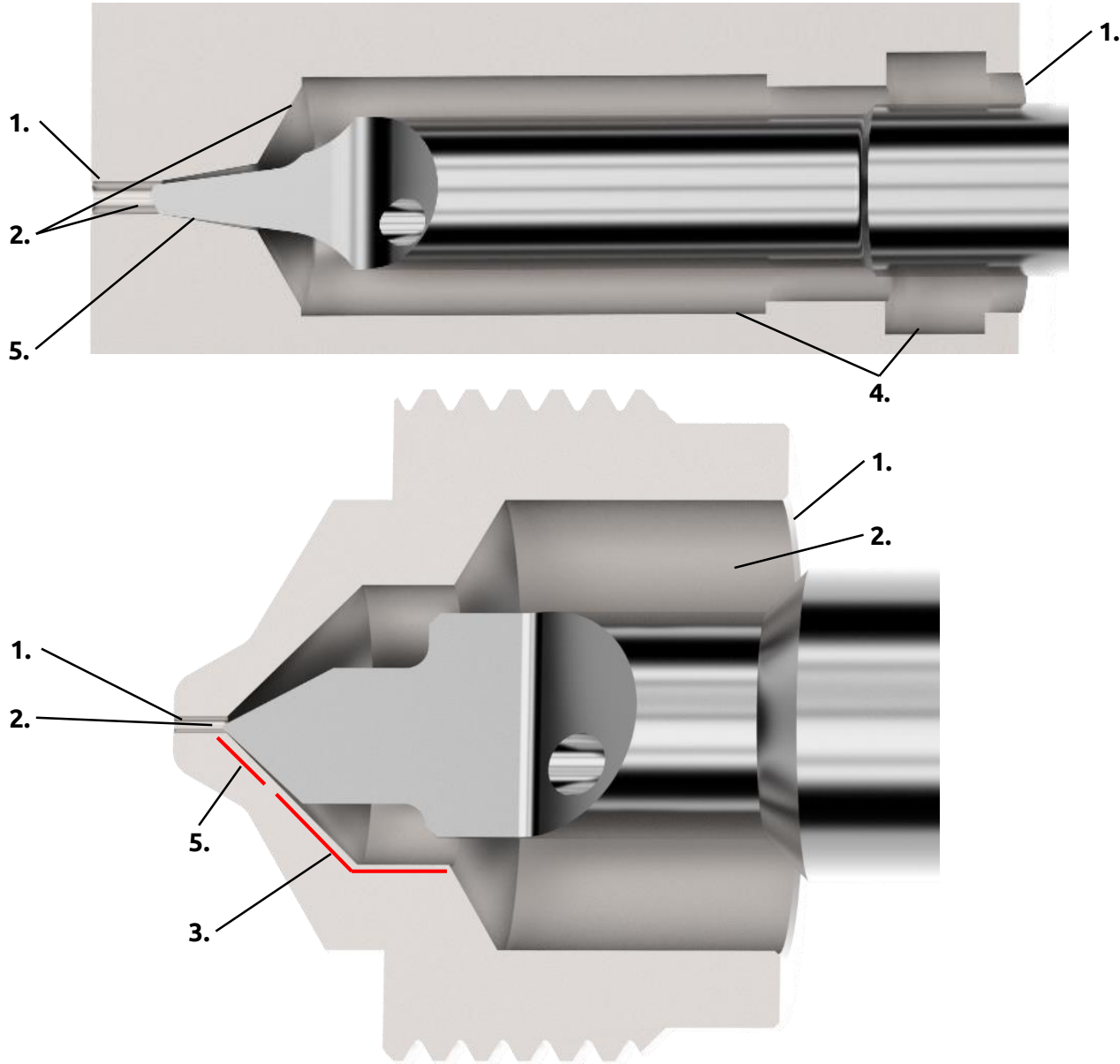
4. SDG - boring bar



5. Tools for manufacturing of special profiles to customer specification



Processing example: nozzle processing 3/3



1. DRP - centering pointer



2. DRA - high performance chamfering drill



3. SDG - boring bar



4. SDS - internal grooving cutter / SDT - grooving and turning cutter



5. Tools for manufacturing of special profiles to customer specification

