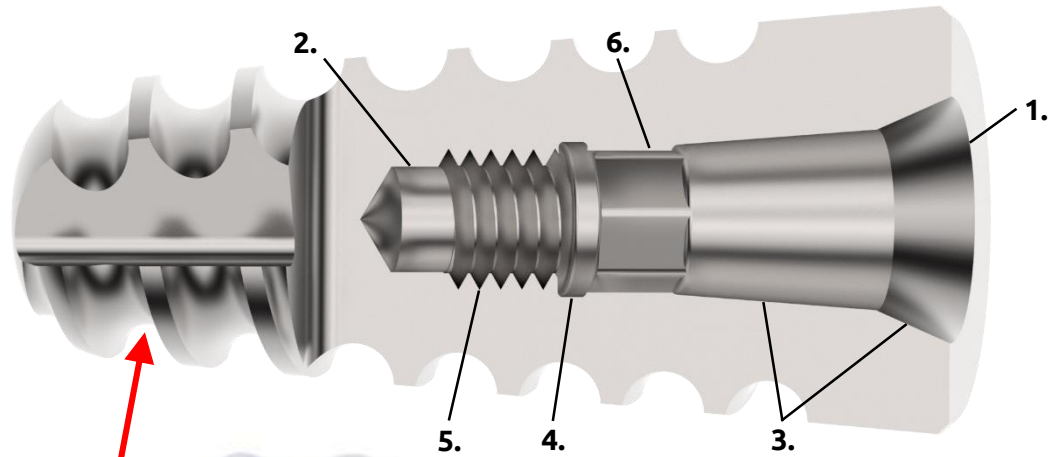


Processing example: inner shape of a dental implant



1. DRP - centering pointer



2. DRA - high performance chamfering drill



3. SDG - boring bar



4. SDS - internal grooving cutter



5a. SDU - threading cutter



5b. WHN - thread whirler



6a. BRH - broaching tool



6b. BRT - broaching tool

