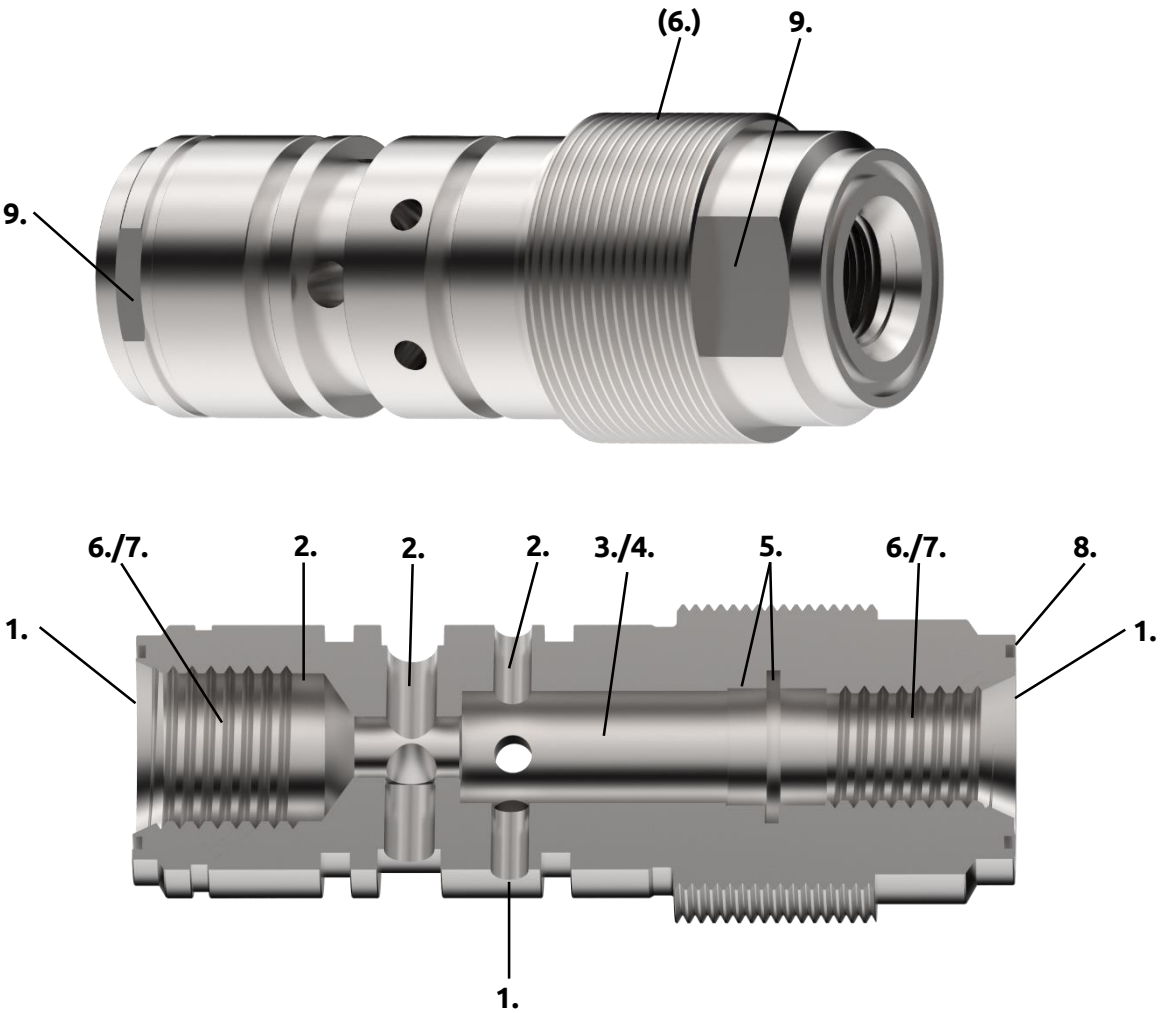


Processing example: adapter piece (hydraulic/pneumatic)



1. DRP - centering pointer



2. DRA - high performance chamfering drill



3. SDG - boring bar



4. DRE - precision reamer or stepped reamer



5. SDS - internal grooving cutter



6. SDU/SDV - threading cutter-partial and solid profile



7. WHC/WHS - thread whirler



8. SXP - front grooving cutter



9. Tools for manufacturing of special profiles to customer specification

