

HOBE

micro
tools

High precision micro-tools for internal machining

borin® / decex®
micro-boring

broachin® / probin®
broaching + gauges

spinin®
drilling + reaming

tourin®
thread whirling

cutex®
engraving + milling

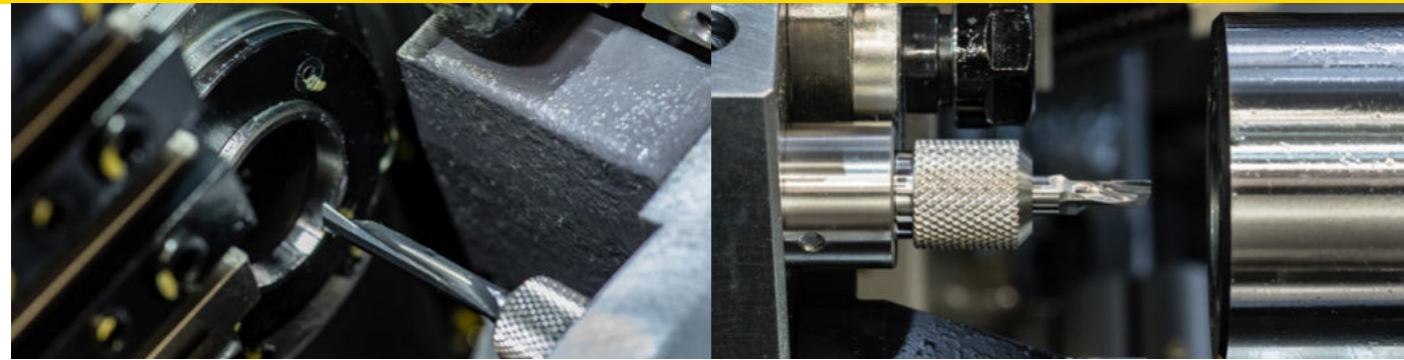
custom
customized tools



micro-tooling
 $\phi > 0,33 \text{ mm}$

HIGH PRECISION MICRO-TOOLS

for internal machining

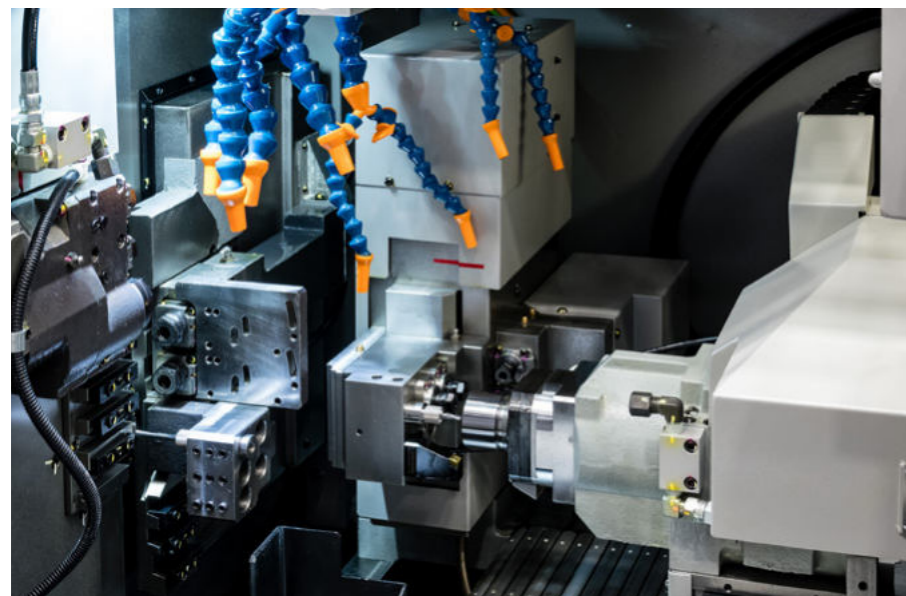


Our goal: Optimum machining solutions for all industries

Hobe micro-tools are successfully in use worldwide, for example, in the manufacturing of medical instruments, precision mechanical tools and electronic components. Whether as standard tools, special tools or custom development: We offer the best machining solution for every industry and application. Our sophisticated tooling systems contribute to making our clients' production processes more efficient, with a convincing combination of innovation, product quality and profitability.

Quality

We can thank our motivated, highly trained employees and their commitment to deliver our compelling product and service quality at all times to our clients. Accordingly, Hobe produces exclusively in Germany with development and manufacturing all under one roof. All business processes are reviewed by a certified quality management system according to DIN EN ISO 9001 and are continuously improved. For us, quality means optimum product properties, tailor-made tool and process solutions and a reasonable price-performance ratio.



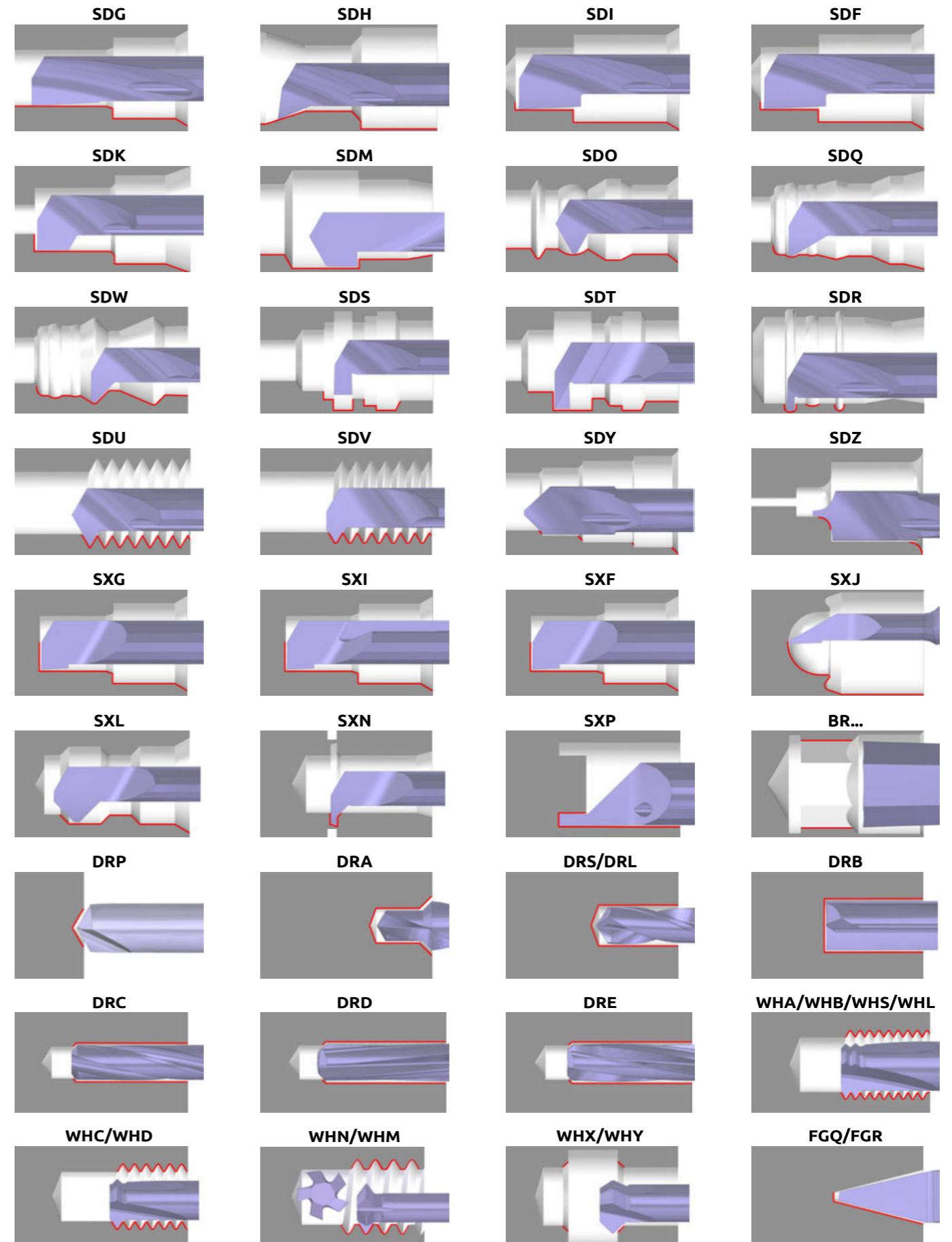
Do you have any questions regarding our products?
Get in touch!

Hobe GmbH | micro tools
Baindter Straße 27
88255 Baienfurt, Germany

+49 (0)751 56092 0
+49 (0)751 56092 18
info@hobe-tools.de
www.hobe-tools.de

MORE THAN 40 DIFFERENT APPLICATIONS
in the standard product range (Ø 0,3 - 8,0 mm)

HOBE | micro tools



THE BORIN® SYSTEM
tool-free bar change
exact to the μ .

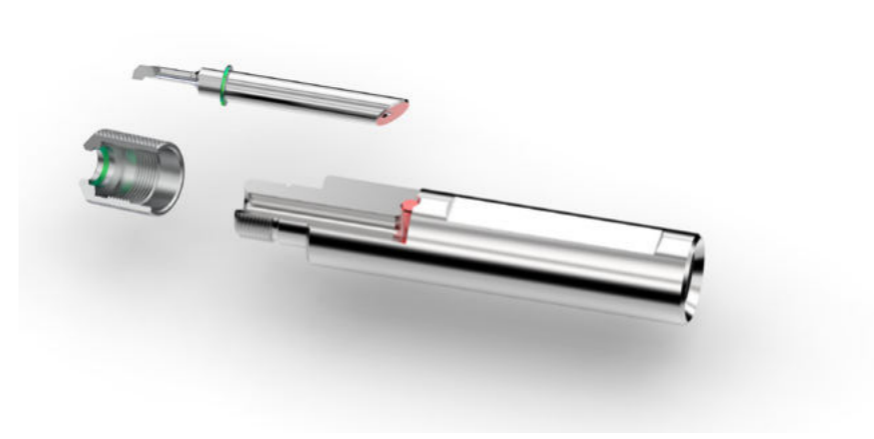
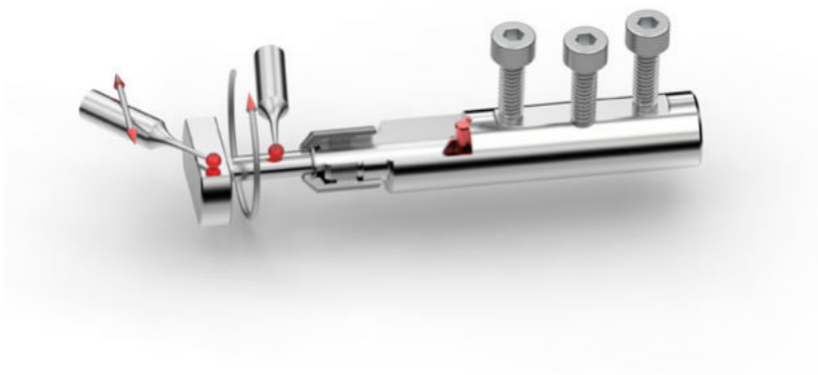
System tool-holder and system tools

Our system has been developed for efficient turning of „micro-bores“. Remarkable are the small dimensions, precision and the coolant-channel through the holder and in the tool-bits. The tool-holder can be fixed directly in the machine or in all usual collet chucks.

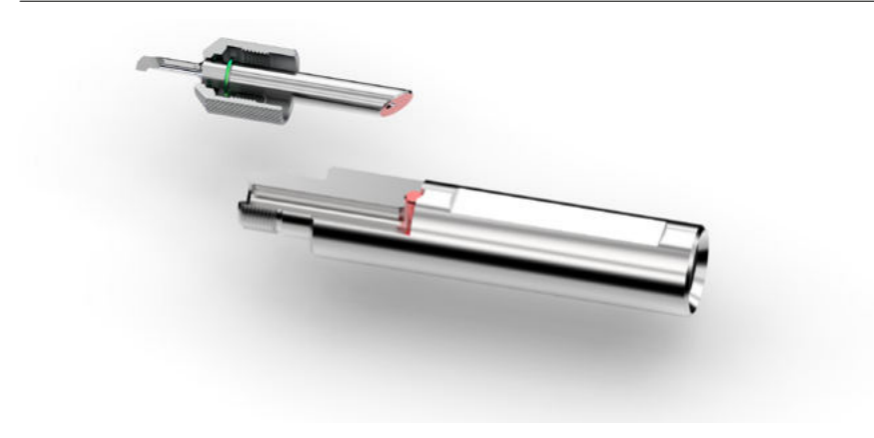
The changing of the tool-bits is done by hand, without any further device.

Special tools as drills, mills, reamers with steps or other profiles are available for this system tool-holder. The system-tools are suitable for bores more than diameter 0,33 mm. The precision of our system tools and the special pick-up system of our tool-holder has a repeatability of usually $\pm 5 \mu\text{m}$. In most cases it's not necessary to setup new axial and radial tool-positions. After changing the tool-bits the height to center is always the same.

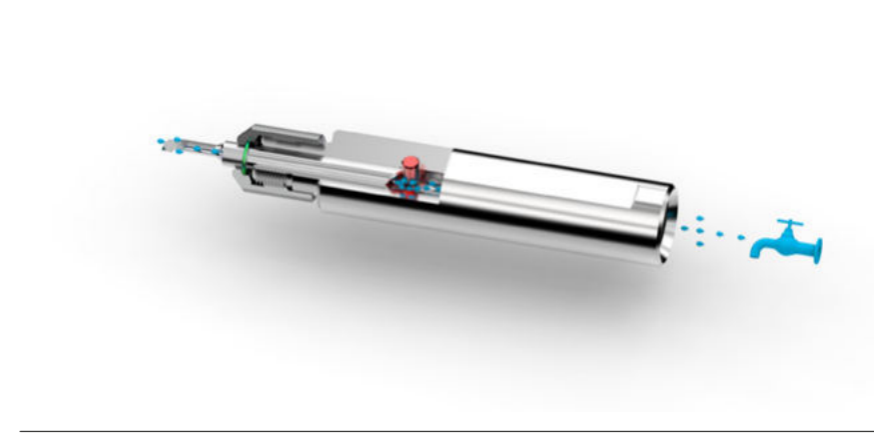
The coolant flows through the channel of the tool-bit to the cutting position. The system is also suitable for applications with minimal lubrication.



Fit the tool-insert first into the screw-cap and after that into the bore of the tool-holder.



Fix the screw-cap by turning and the ring will push the angular surface against the cross-bolt.

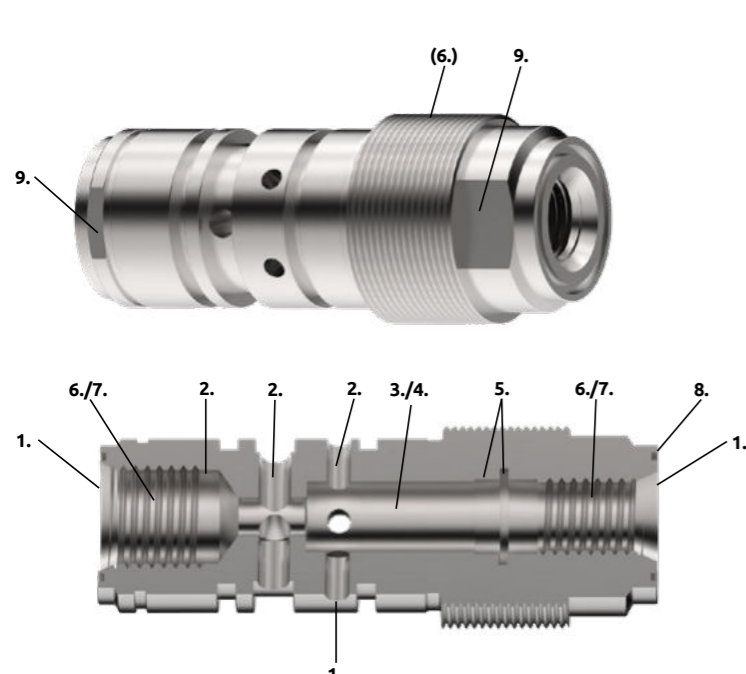


The tool-insert moves accurately to the high of center. In length-direction the cross-bolt builds the precise stop.

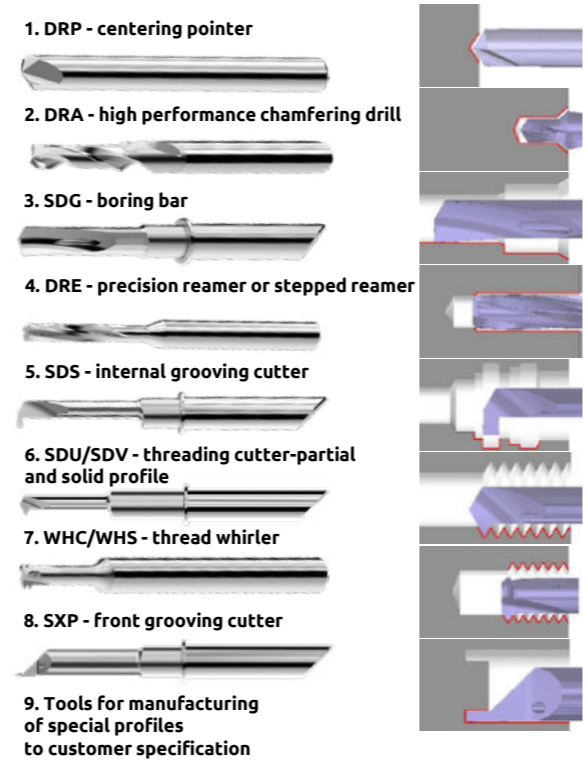


The coolant passes undisturbed the cross-bolt into the internal channel of the tool-insert.

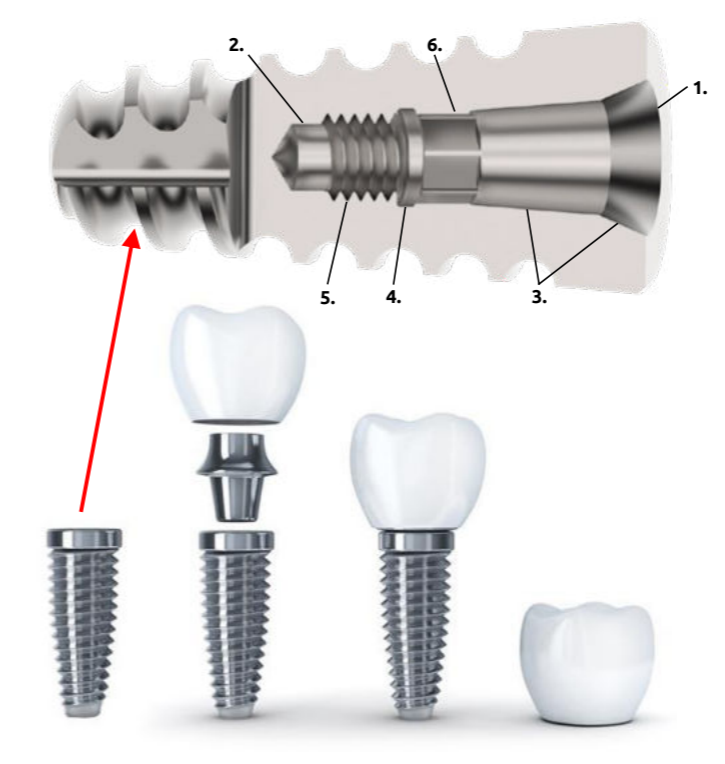
adapter piece (hydraulic/pneumatic)



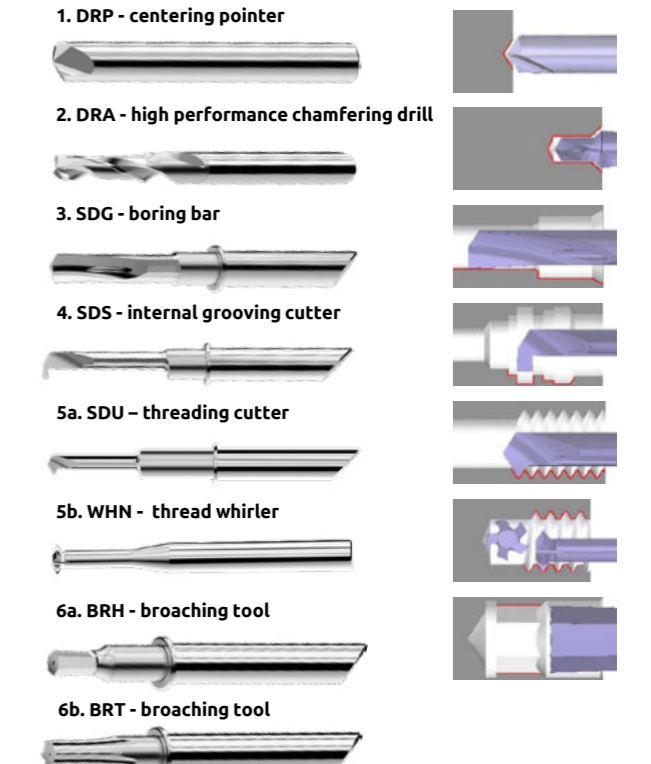
1. DRP - centering pointer
2. DRA - high performance chamfering drill
3. SDG - boring bar
4. DRE - precision reamer or stepped reamer
5. SDS - internal grooving cutter
6. SDU/SDV - threading cutter-partial and solid profile
7. WHC/WHS - thread whirler
8. SXP - front grooving cutter
9. Tools for manufacturing of special profiles to customer specification



dental implant

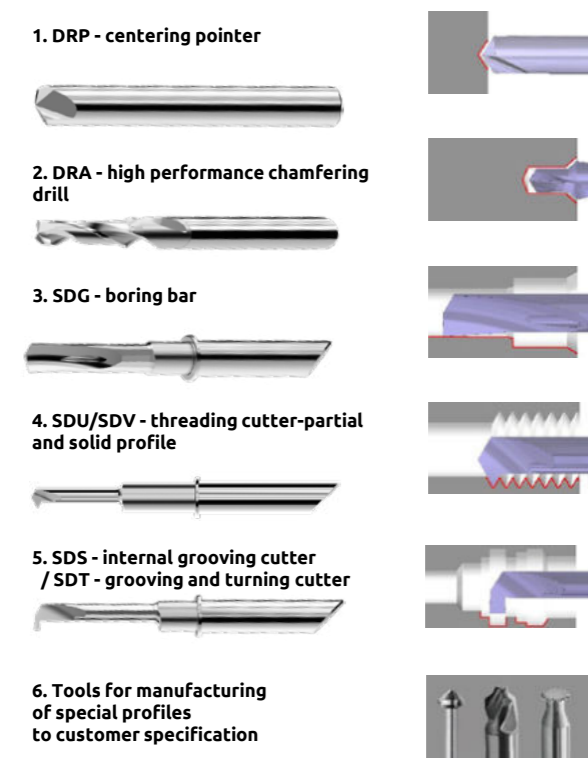
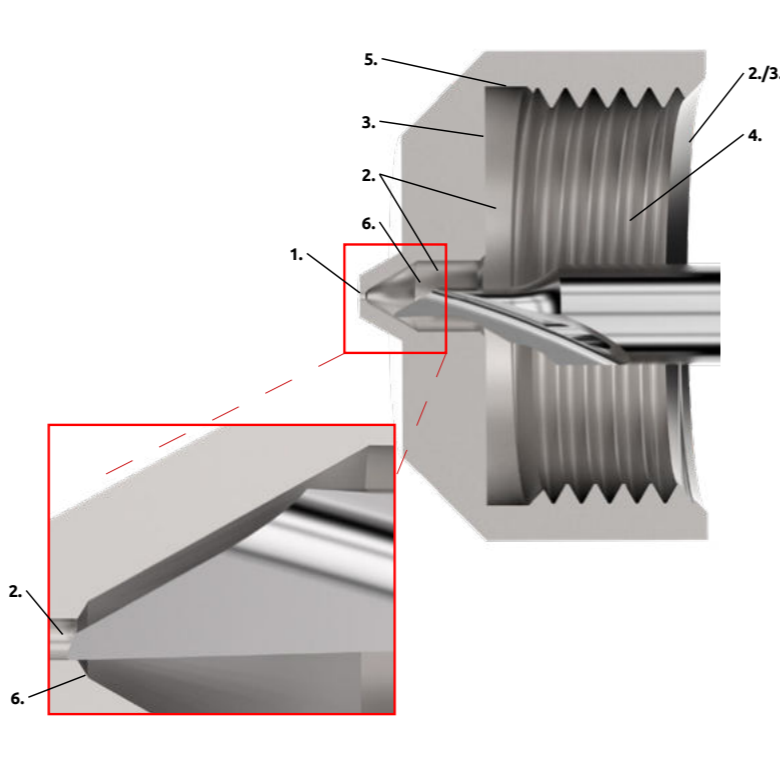


1. DRP - centering pointer
2. DRA - high performance chamfering drill
3. SDG - boring bar
4. SDS - internal grooving cutter
- 5a. SDU - threading cutter
- 5b. WHN - thread whirler
- 6a. BRH - broaching tool
- 6b. BRT - broaching tool



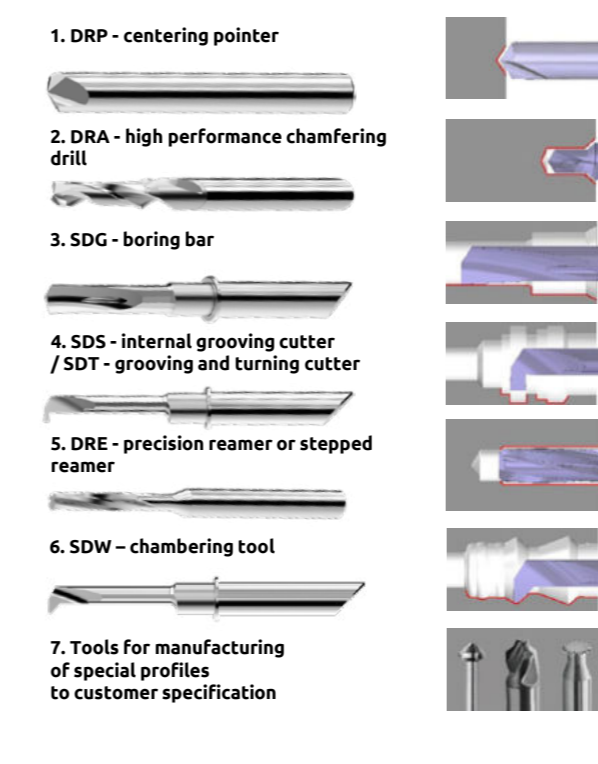
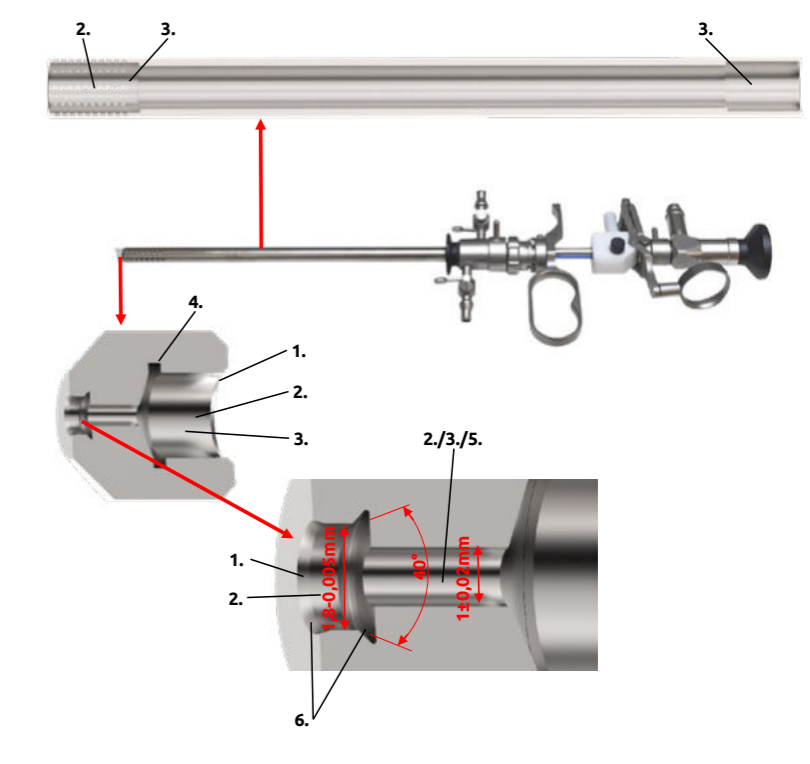
nozzle

1. DRP - centering pointer
2. DRA - high performance chamfering drill
3. SDG - boring bar
4. SDU/SDV - threading cutter-partial and solid profile
5. SDS - internal grooving cutter / SDT - grooving and turning cutter
6. Tools for manufacturing of special profiles to customer specification

resectoscope - tube- and lense-fitting

1. DRP - centering pointer
2. DRA - high performance chamfering drill
3. SDG - boring bar
4. SDS - internal grooving cutter / SDT - grooving and turning cutter
5. DRE - precision reamer or stepped reamer
6. SDW - chambering tool
7. Tools for manufacturing of special profiles to customer specification

all dimensions in mm

At Hobe innovation results from motivation. Our medium-sized enterprise is perfectly dimensioned to foster an effective innovation culture. Thus, every employee is encouraged to contribute creative ideas and new solutions. As a company, we regard our clients' complex demands as welcome challenges, which we meet by delivering seemingly impossible solutions.

Do you have a development project in mind?

Just fill out and submit our inquiry form.

www.hobe-tools.de/en/custom

Our customized solutions score with a clear competitive edge and quality jumpstart to our customers.

Hobe GmbH | micro tools
Baindter Straße 27
88255 Baienfurt
Germany

 +49 (0)751 56092 0

 +49 (0)751 56092 18

 info@hobe-tools.de

 www.hobe-tools.de