

Cutting tools

Watchmaking



CASE MIDDLE

④ Glass notch

Turning tool with profiled insert



③ Lug hole

REF. 343 - Drill - helix 34°



② Lug

Circular milling cutter for lugs



① Milling

REF. 115/115-1 - Roughing end mill



REF. 1620 - EXPERT end mill stainless steel Z4



REF. 1515 - End mill 3 teeth $l_1=1.5x d_1$



5 Push button hole

REF. 337 - NC-Center drills- Point angle 90°



REF. 343 - Drill - helix 34°



REF. 335 - Step drills

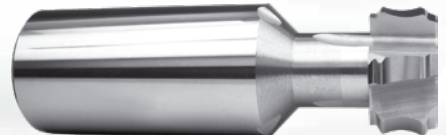


REF. 338 - Twist drills with centering tip



7 Interior finish

Profiled T-slot end mill



6 Tapping

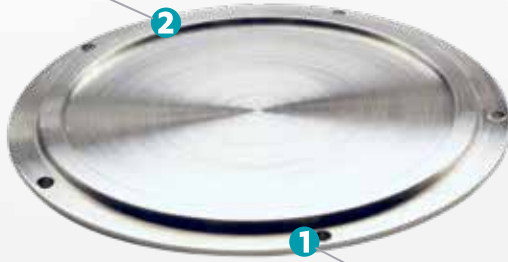
REF. 5600 - Whirling tools as per NIHS 06-02 & 06-03 Z3



BACK

② Water resistant notch

Turning tool with profiled insert



① Screw hole

REF. 335 - Step drills



③ Engraving

REF. 119-4 - Engraving mill -reinforced- V-shape



PULL-OUT PIECE

② Square

Polygon operation's mill



① Notch

Z² - Tooth by tooth gear cutter



ORIGIN - Hobs for epicyclic & involute teeth



③ Threading

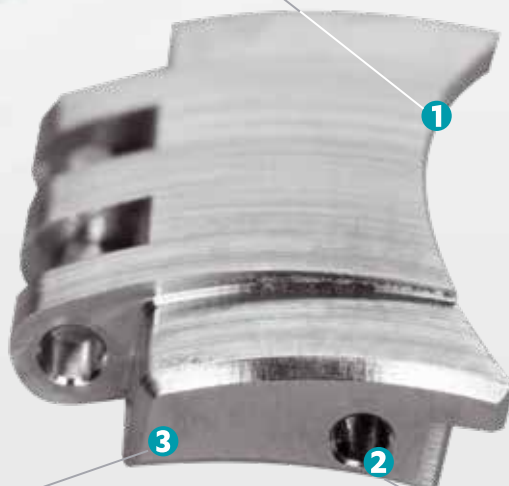
REF. 5000 - Thread whirling cutter



WRISTLET

① Link

Circular milling cutters with special profile



③ Link sawing

REF. 223-1 - Slitting saws DIN 1837 fine pitch



② Link hole

REF. 337 - NC-Center drill - Point angle 90°



REF. 370 - EXPERT drill stainless steel



REF. 335 - Step drill



BOTTOM PLATE

4 Surface finish

REF. 111-1 - Straight cut end mill Z1 reinforced



REF. 1820 - EXPERT end mill for brass



2 Recess

3 Stud / Dot

Special profile « digging tools »



7 Roughing

REF. 4015 - PCD end mills



5 Poches

REF. 111-1 - Straight cut end mill Z1 reinforced



REF. 1820C01 - EXPERT Ceramic end mill for brass



8 Drilling

REF. 353 - Twist drill – Z3



REF. 363 - Gundrills



9 Exterior

Blanking tool



1 Pull out piece hole

REF. 337 - NC-Center drill - Point angle 90°



REF. 340 - Twist drill helix 24°

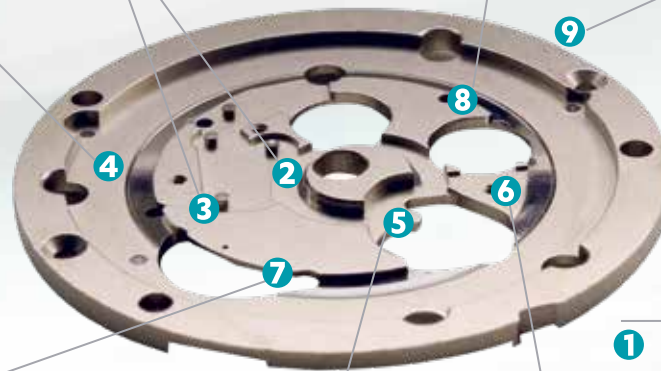


Flat drill



6 Tapping

REF. 5500 - Whirling tools as per
NIHS 06-02 norm



GEARS



Cylindric gear

Z² - Tooth by tooth gear cutter



ORIGIN - Hobs for epicyclic & involute teeth



Frontal gear

E₂F - Hobs for frontal gear cutting



Conical gear

TRINITY - Hobs for conical gears



Escapement gear

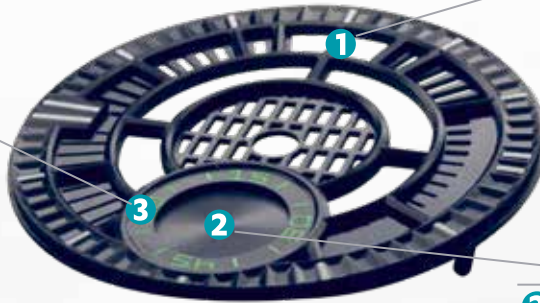
REVOLUTION - Hobs for asymmetrical gears



DECORATION

3 Engraving

REF. 119 - Engraving mill V-shape - flat tip



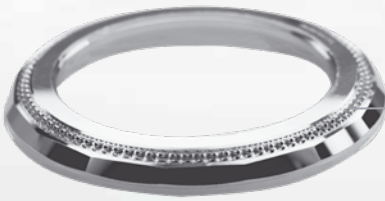
1 Date hole

Special punch tool



2 Snailing

Snailing tool



Setting

REF. 343 - Drill - helix 34°

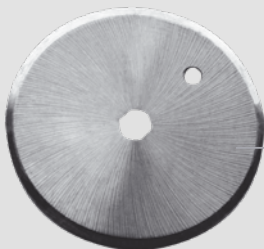


REF. 119-4 - Engraving mill - reinforced - V-shape



Côtes de Genève

REF. 117 - T-slot cutters, 2 cuts, straight toothing



Snailing

MILLS FOR SNAILING - in solid carbide or PCD

