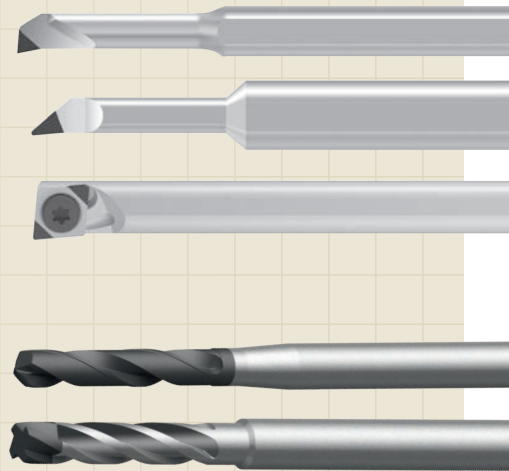
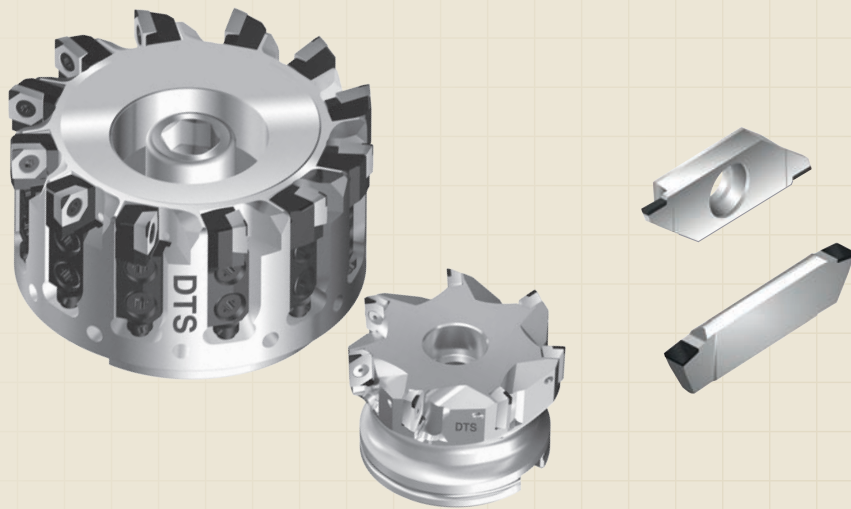
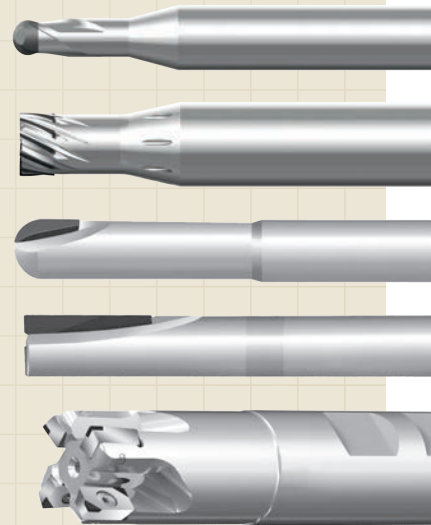




**DTS GmbH**  
Germany

## Product Overview

Lasered PCD, CVD-D, UltraDiamond and CBN Tools

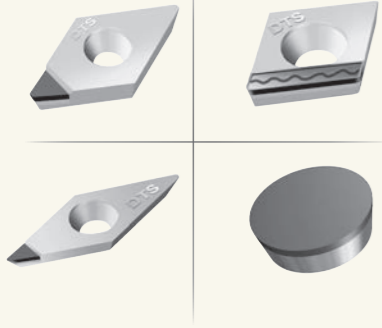


Visit our new online  
store!  
[www.diamond-tools24.com](http://www.diamond-tools24.com)

**DTS GmbH - Deutschland**  
Diamond Tooling Systems

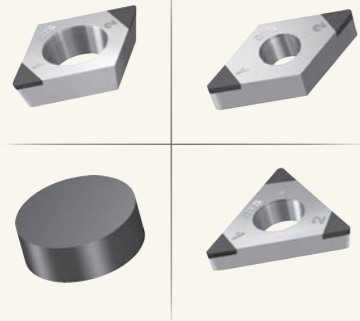
+49 (0) 6301 32011-0  
[www.diamond-toolingsystems.com](http://www.diamond-toolingsystems.com)

## Lasered Inserts PCD / CVD-D / UltraDiamond



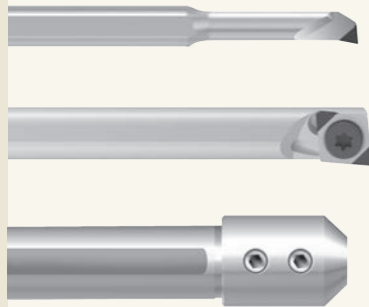
- Neutral and positiv inserts available
- Inserts with laserd 3D-micro chip breaker
- Special tools on request

## Inserts CBN



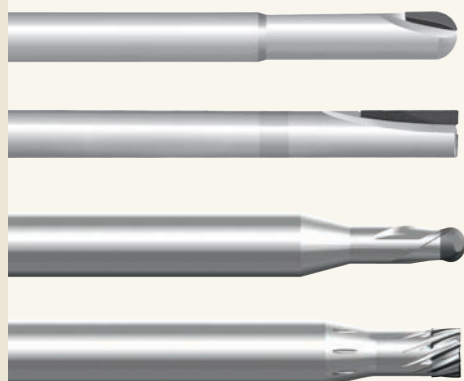
- 12 different CBN grades from stock
- For continious to heavy interrupted cut
- Lasered 3D-micro chip breaker on request
- Special tools on request

## Boring Bars | MiniTools with Inserts PCD / CVD-D / UltraDiamond / CBN



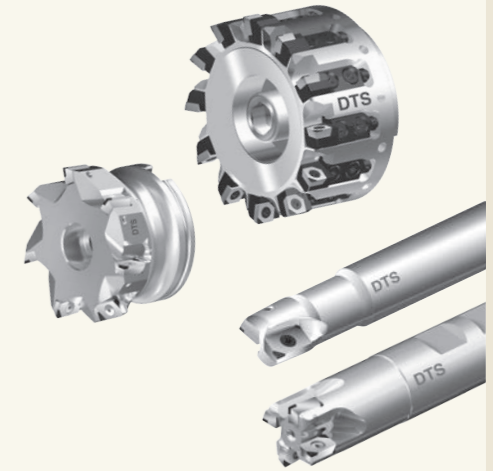
- Brazed boring bars for bore machining from Dmin 1,00-9,00 mm
- MiniTools with indexable multiple egde tipped inserts for bore machining from Dmin 3,50-11,00 mm
- Standard tool holder and hydro chlamp chucks on stock
- Boring bars for turning and fine boring
- Special tools on request

## End Mills PCD / CVD-D / UltraDiamond / CBN



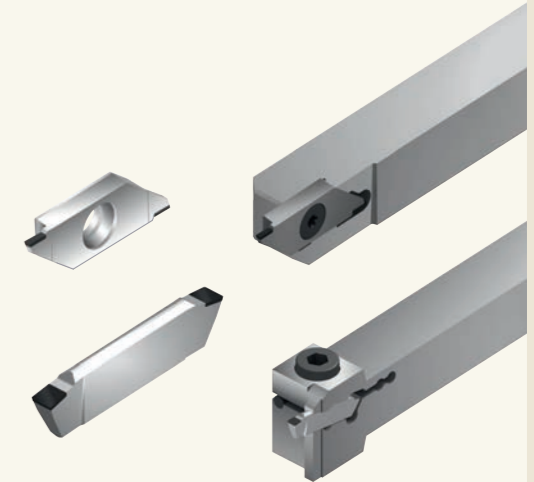
- End mills from  $\varnothing$  0,20-20,00 mm
- Corner, radius, multi-tooth and CBN Solid end mills in large selection available
- Optimized, stable version for machining carbide, ceramics and brittle hard materials
- Straight and twisted cutting edges
- Special tools on request

## Milling Cutter Systems with Inserts PCD / CVD-D / CBN



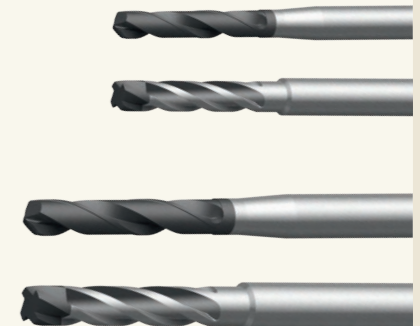
- Face, corner and weldon end mills from  $\varnothing$  10-25 mm
- Copy end mills from  $\varnothing$  15-80 mm
- Face and 90° shoulder cutter from  $\varnothing$  32-100 mm
- Flexible milling cutter systems with adjustable cartridges from  $\varnothing$  50-400 mm, carbide base in aluminum and steel
- All milling inserts are multiple edge tipped
- For standard and hight speed machining

## Grooving Tools PCD / CVD-D / UltraDiamond / CBN



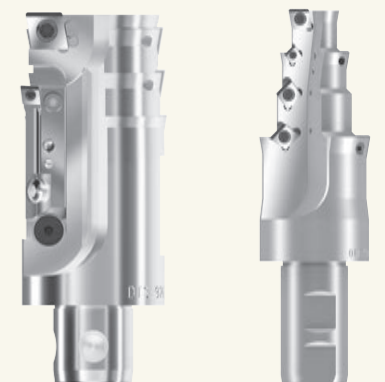
- Stable grooving system starting form width 1,00-6,00 mm
- For grooving, profile turning and parting
- Multi-edged tipped diamond and CBN inserts
- Also form grooving tools possible
- Special tools and 3D-micro chip breaker on request

## CBNCoat Drills Solid CBN Reamers



- Drills for hard drilling up to 68HRC, from  $\varnothing$  2,00-12,00 mm, in increments of  $\varnothing$  0,10 mm
- CBN Reamers for hard drilling up to 72HRC, from  $\varnothing$  1,50-6,03 mm, in increments of  $\varnothing$  0,01 mm and 0,10 mm

## Special Tools PCD / CVD-D / UltraDiamond / CBN



- Intelligent combination tools
- For the application adjusted 3D-micro chip breaker
- Tipping the provided base bodies with diamond or CBN cutting materials possible
- Initial design of special tools and processes




# Applications of our cutting materials

**PCD**

## PCD - Diamond

is ideally suited for the machining of:

**Aluminum <10% Si | Brass | Copper, Copper Alloys | Graphite | Magnesium | PEEK | Tungsten alloy**




-  continuous cut
-  light interrupted cut
-  heavy interrupted cut

**CVD-D**

## CVD-D - Diamond

is ideally suited for the machining of:

**Acrylic (PMMA) | Aluminum >10% Si | Carbide | Ceramics | Composites (GFRP/CFRP) | Copper, Copper Alloys | Glass, Glass Ceramic | Magnesium | Plastic | Silver, Gold, Platinum | Titanium | Zirconium**




-  continuous cut
-  light interrupted cut
-  heavy interrupted cut

**Ultra  
Diamond**

## UltraDiamond

is ideally suited for the machining of:

**Acrylic (PMMA) | Carbide | Ceramic | Glass, Glass Ceramic | Zirconium**




-  continuous cut
-  light interrupted cut
-  heavy interrupted cut

**H**

## CBN-H

for the machining of:

**Steel, hardened up to 72 HRC  
Sinter Steel, hardened**




-  continuous cut
-  light interrupted cut
-  heavy interrupted cut

**P**

## CBN-P

for the machining of:

**all Sintered Materials**




-  continuous cut
-  light interrupted cut
-  heavy interrupted cut

**K**

## CBN-K

for the highspeed-machining of:

**Grey Cast Iron (GCI)  
Ductile Cast Iron (DCI)**




-  continuous cut
-  light interrupted cut
-  heavy interrupted cut

**S**

## CBN-S

for the machining of:

**Inconel  
Ni-, Co-, Fe- and Cr-Alloys**




-  continuous cut
-  light interrupted cut
-  heavy interrupted cut

**X**

## CBN-X

for the machining of:

**Powder metallurgical Steel, hardened  
Special Alloys such as ASP, CPM, Hardox  
Tool Steel, hardened up to 72 HRC**

-  continuous cut
-  light interrupted cut
-  heavy interrupted cut